

US Series High-temperature Solenoid Valve



● US-50



● US-40



● US-25

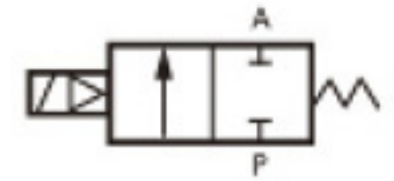


● US-20

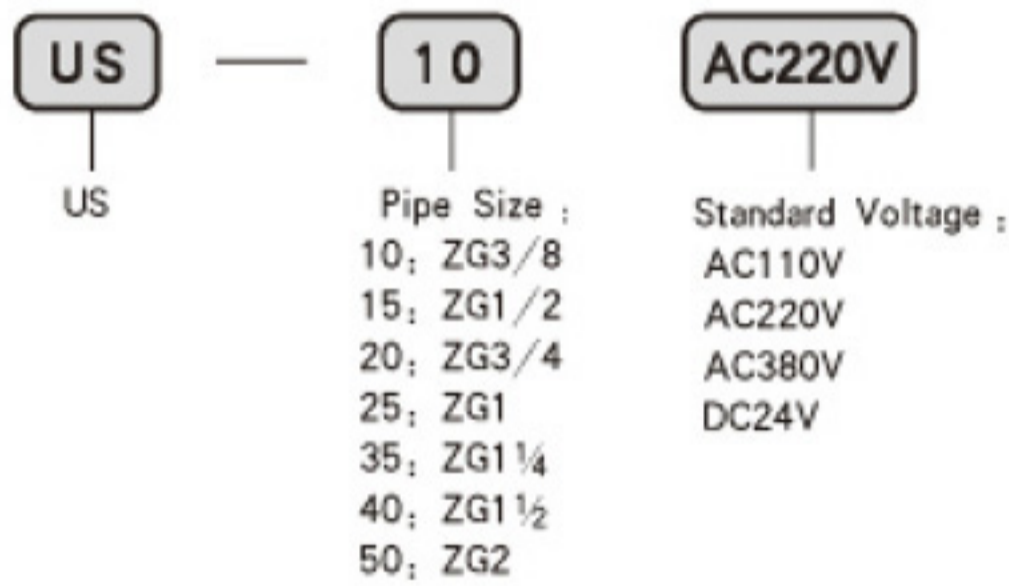


● US-15

■ Graphics Sign



● Ordering Code



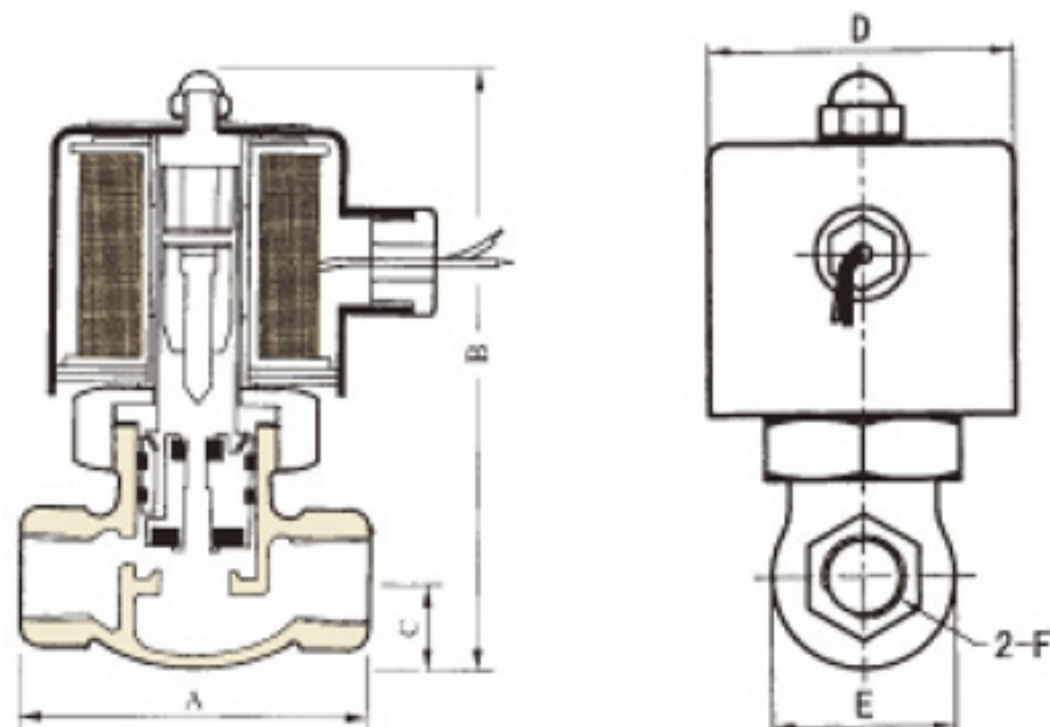
■ Specific Property:

It adopts teflon hard seal structure, with reliable performance, anticorrosion, high-temperature resistance, large flow, high pressure, good waterproof performance and multiple wiring directions.

■ Technical Parameter

Item \ Specification	US-10	US-15	US-20	US-25	US-35	US-40	US-50
Material of Body	Foundry						
Operating Method	Plunger Pilot						
Pipe Size	ZG3/8	ZG1/2	ZG3/4	ZG1	ZG1 1/4	ZG1 1/2	ZG2
Nominal Diameter (mm)	17	17	17	20	30	30	50
Applicable Fluid	Air , Water , Oil (50CST bellow) , Steam						
Pressure Range	0.05~1.5MPa						
Applicable Temperature	-5~185°C						
Specified Voltage	AC12V、AC24V、AC36V、AC110V、AC220V、AC380V、DC12V、DC24V、DC110V						
Operating Voltage Range	± 10%						
Min. Activating Time	0.05S						
Install Method	Horizontal Fixing						

■ Figure Dimension

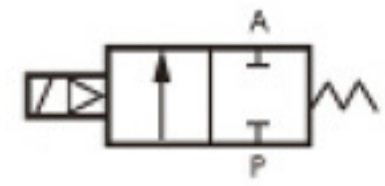


Specification	A	B	C	D	E	F
US-10	83	146	21	φ 70	42	ZG3/8
US-15	83	146	21	φ 70	42	ZG1/2
US-20	83	146	21	φ 70	42	ZG3/4
US-25	90	162	26	φ 70	52	ZG1
US-35	110	183	36	φ 70	74	ZG1 1/4
US-40	110	183	36	φ 70	74	ZG1 1/2
US-50	163	223	47	φ 70	95	ZG2

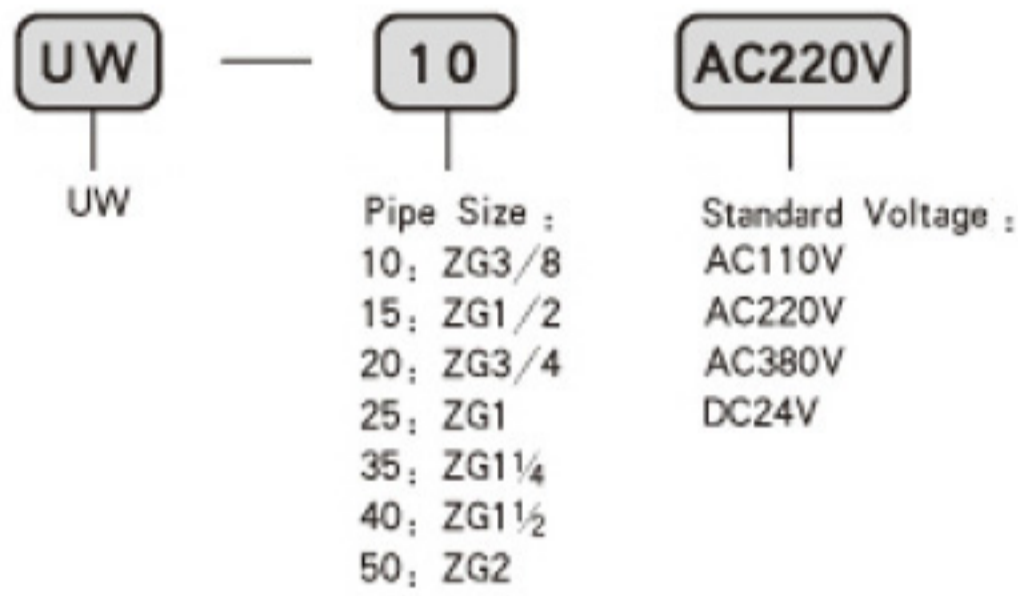
UW Series Solenoid Valve



Graphics Sign



Ordering Code



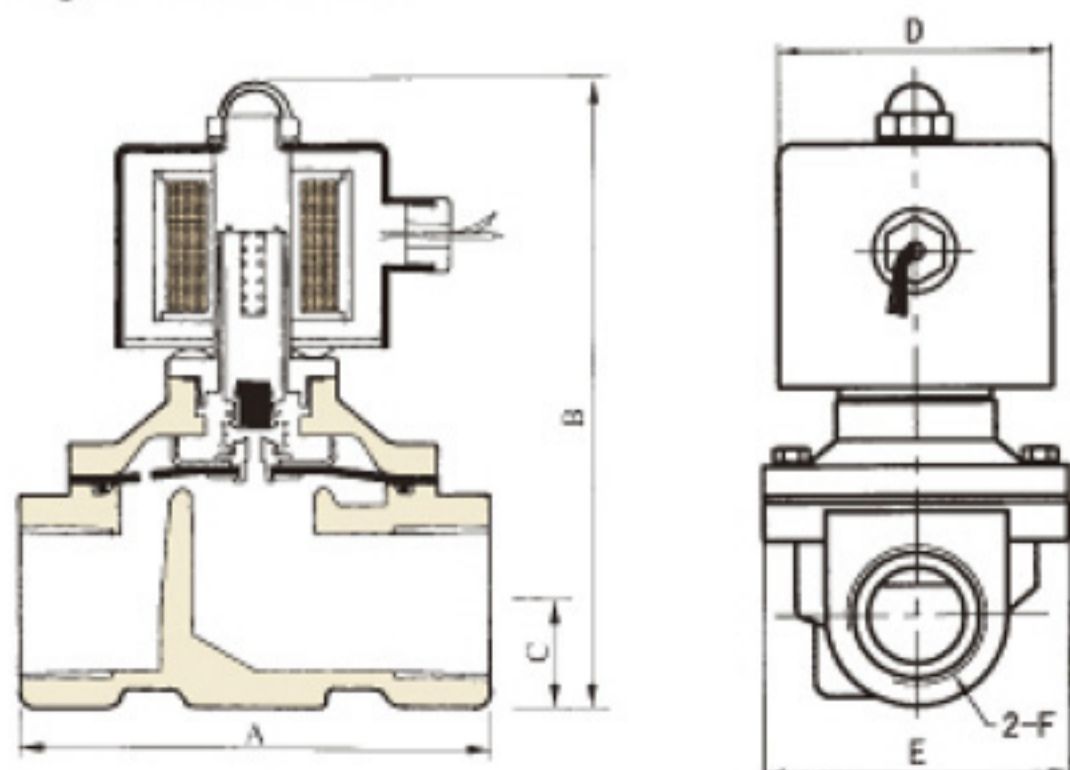
Specific Property:

This guiding type valve adopts the diaphragm seal structure, with zero differential pressure starting function, large flow, simple structure, easy maintenance, good waterproof performance and multiple wiring directions.

Technical Parameter

Item) \ Specification	UW-10	UW-15	UW-20	UW-25	UW-35	UW-40	UW-50
Material of Body	Foundry						
Operating Method	Film Pilot						
Pipe Size	ZG3/8	ZG1/2	ZG3/4	ZG1	ZG1 1/4	ZG1 1/2	ZG2
Nominal Diameter (mm)	16	20	20	25	37	37	50
Applicable Fluid	Air , Water , Oil(50CST bellow)						
Pressure Range	0~0.8MPa						
Applicable Temperature	-5~99°C						
Specified Voltage	AC12V、AC24V、AC36V、AC110V、AC220V、AC380V、DC12V、DC24V、DC110V						
Operating Voltage Range	± 10%						
Min. Activating Time	0.05S						
Install Method	Horizontal Fixing						

Figure Dimension



Specification	A	B	C	D	E	F
UW-10	69	117	16	φ 50	57	ZG3/8
UW-15	69	117	16	φ 50	57	ZG1/2
UW-20	74	124	17	φ 50	57	ZG3/4
UW-25	99	135	23	φ 50	73	ZG1
UW-35	123	172	30	φ 70	95	ZG1 1/4
UW-40	123	172	30	φ 70	95	ZG1 1/2
UW-50	168	209	37	φ 70	123	ZG2